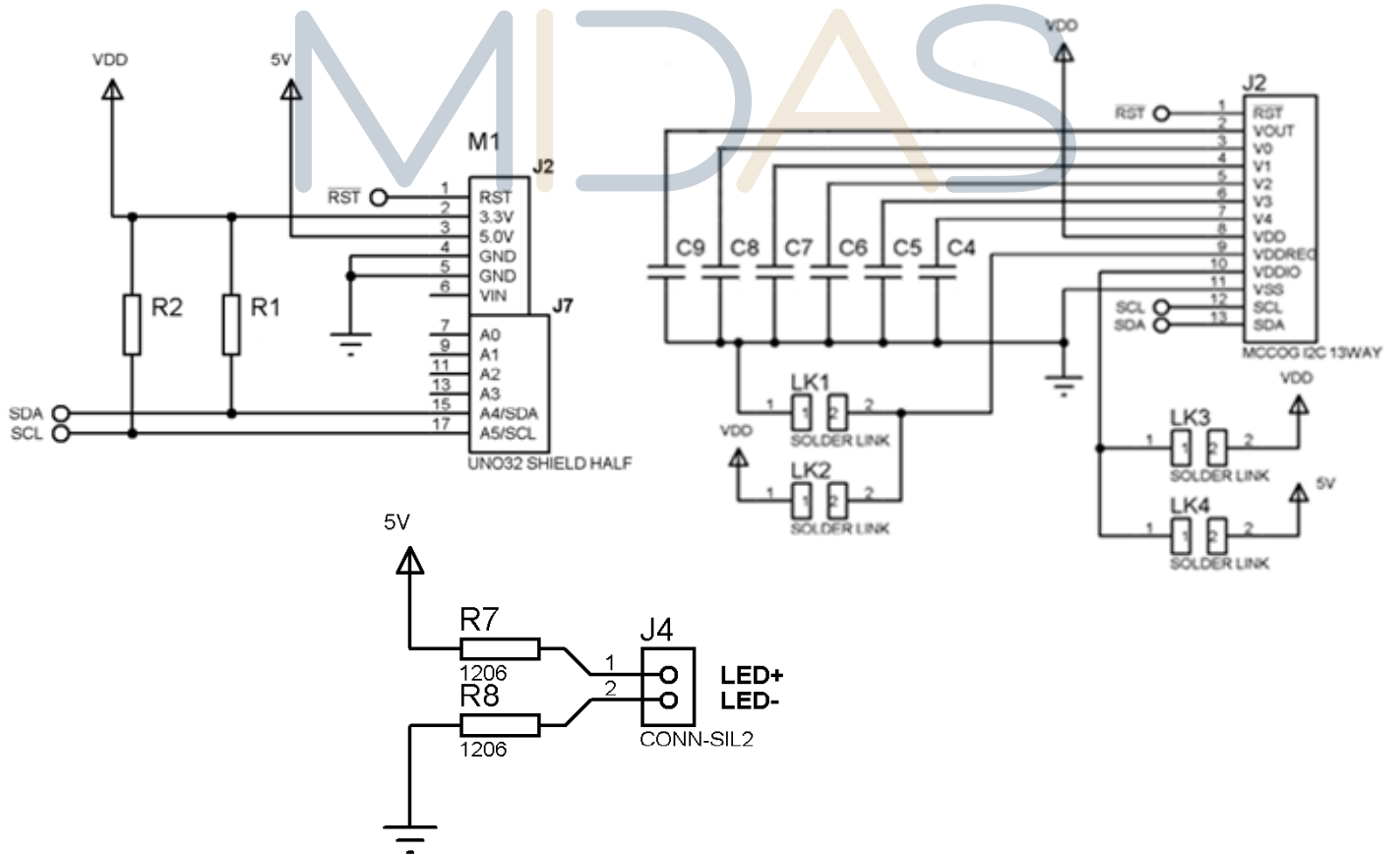
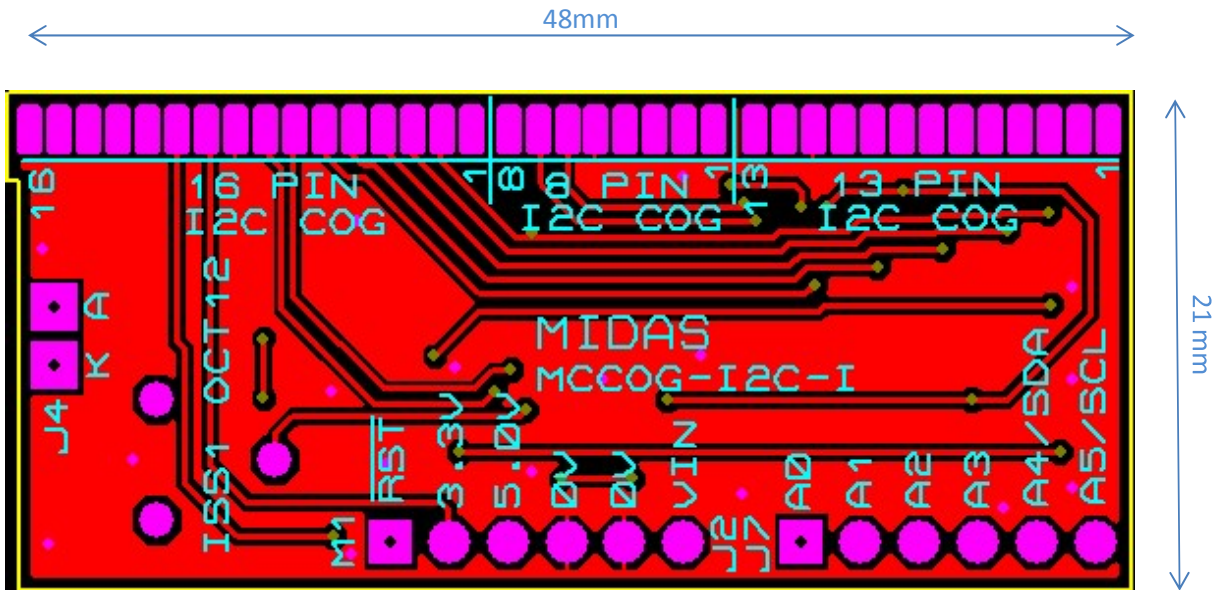


I²C COG Interface Board	
Part Number:	MCCOG-I2C-I-13
Version:	1
Date:	17/03/2015
Notes	
13-Way compatible with MCCOG42005A.	
Revision	
Date:	
17/03/2015	First Draft
23/03/2016	Mechanical Drawing







Component	Value	Reference
Capacitor	1uF	C4
Capacitor	1uF	C5
Capacitor	1uF	C6
Capacitor	1uF	C7
Capacitor	1uF	C8
Capacitor	1uF	C9
Resistor	4.7kΩ	R1
Resistor	4.7kΩ	R2

